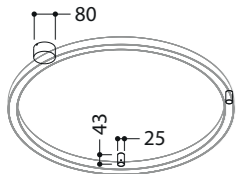


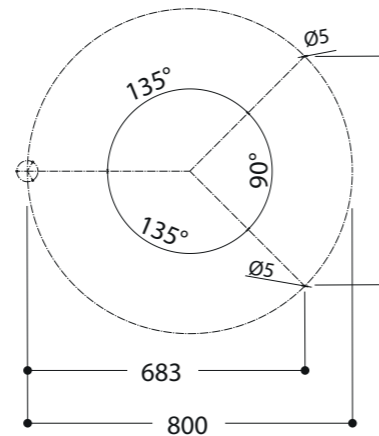
NAME	RINGO SURFACE MOUNTED BASE WC		
REFERENCE	297890	BASE WC 2P (ledline)	TEXT. BLACK
	297891	BASE WC 2P (ledline)	TEXT. WHITE
	297892	BASE WC 2P (ledline)	ANODIC BROWN
	297893	BASE WC 4P (ledline+spot)	TEXT. BLACK
	297894	BASE WC 4P (ledline+spot)	TEXT. WHITE
	297895	BASE WC 4P (ledline+spot)	ANODIC BROWN
SPECIFICATIONS	Voltage / Current	24V / 250 - 700mA DC	
	Gear	converter not incorporated	
	Class / IP	IP20	
	Application	interior - surface mounted	
	Weight	0,4 kg	



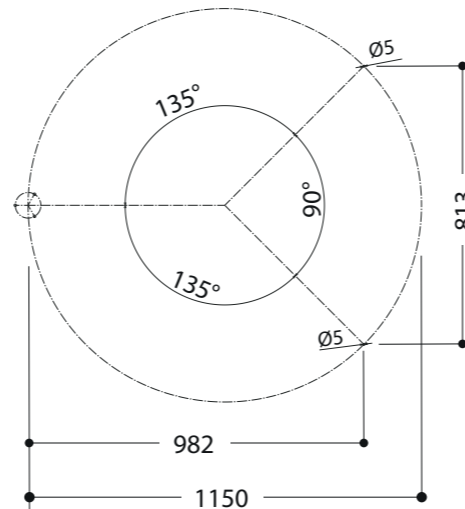
INSTALLATION

1 Make drill pattern according to Ringo size

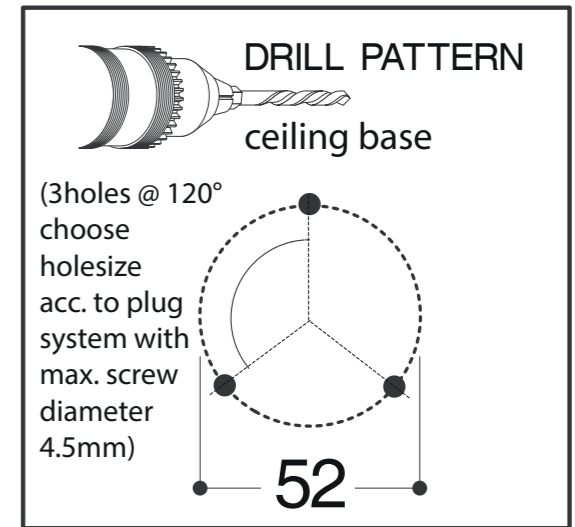
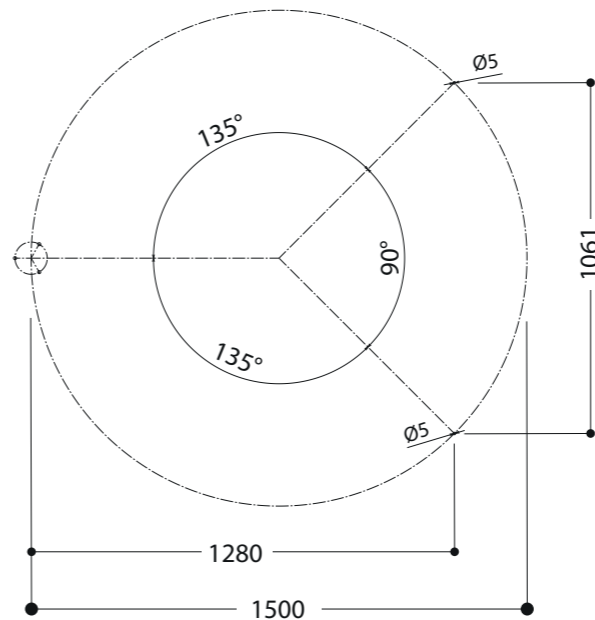
RINGO 835:



RINGO 1185:

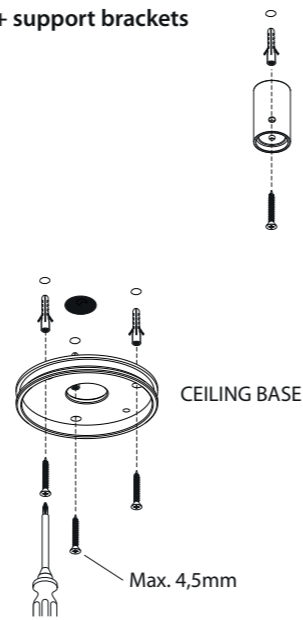


RINGO 1535:

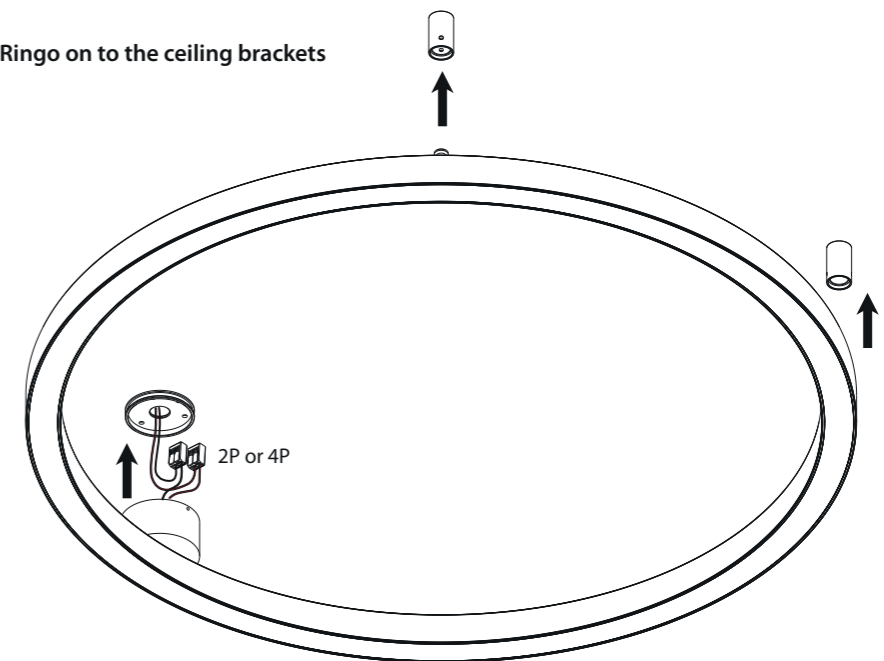


IT IS ALSO POSSIBLE TO MAKE THE DRILL PATTERN OVER 120°

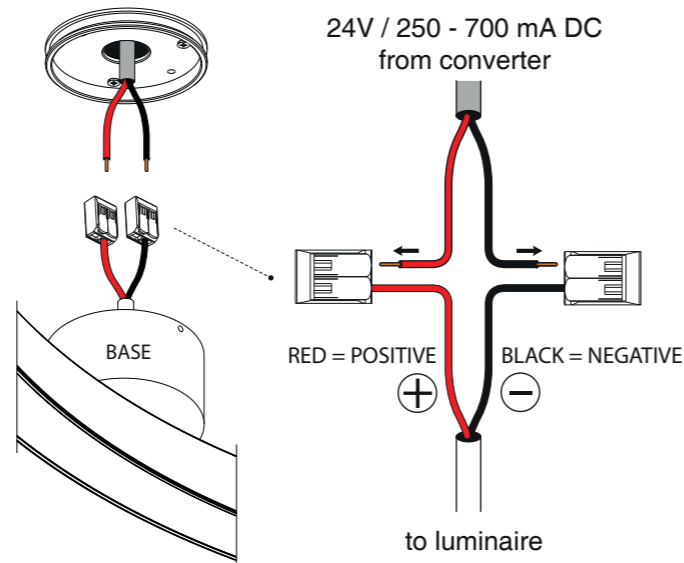
2 Mount the ceiling base + support brackets



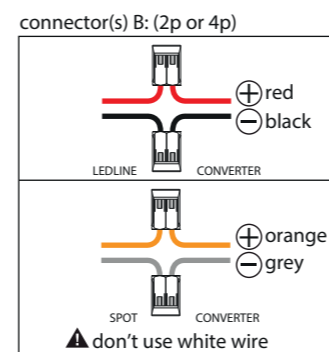
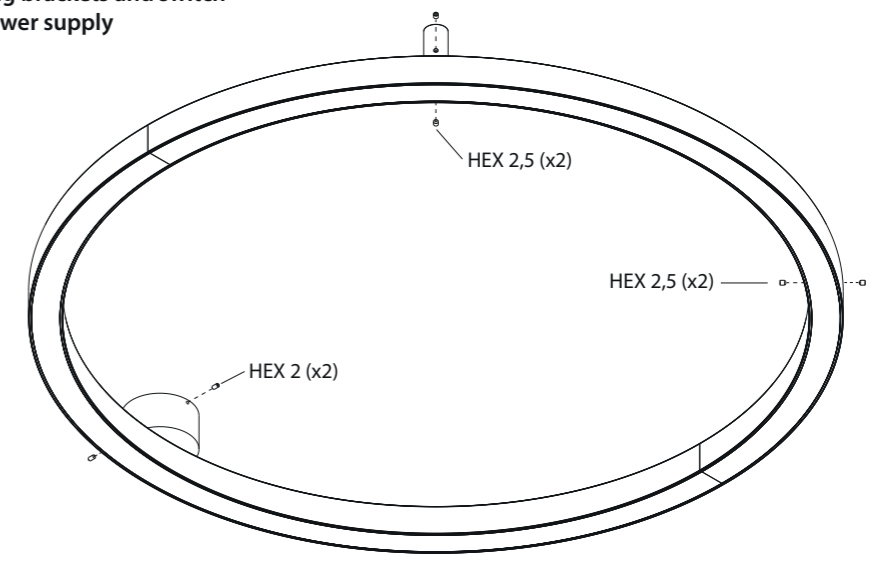
4 Mount the Ringo on to the ceiling brackets



3 Make electrical connection 2P/4P



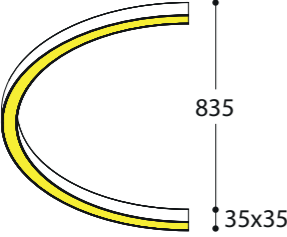
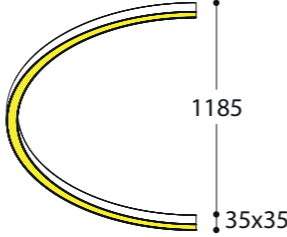
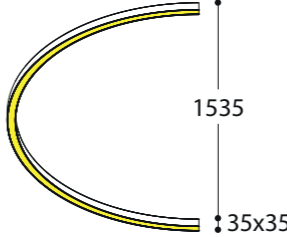
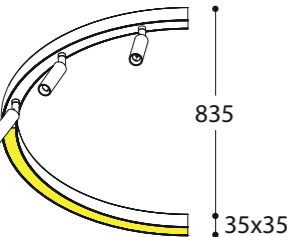
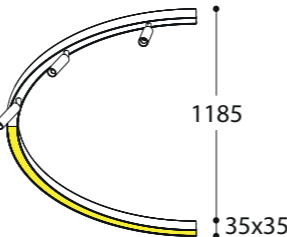
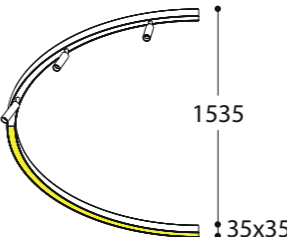
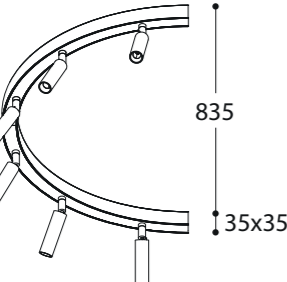
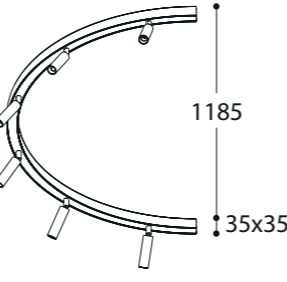
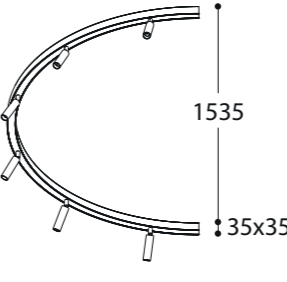
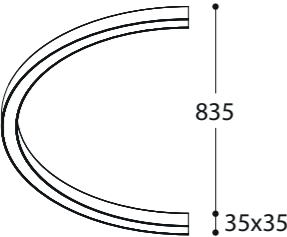
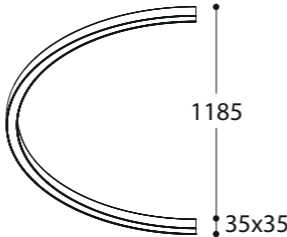
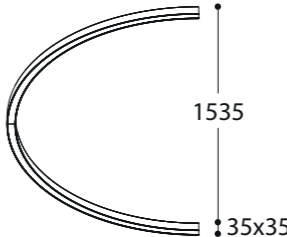
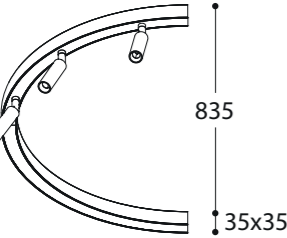
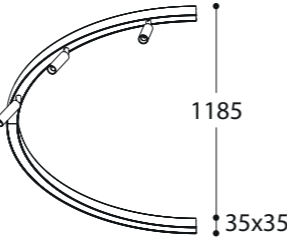
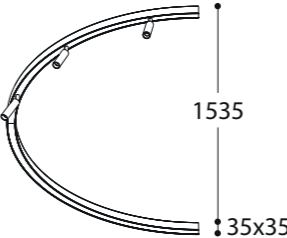
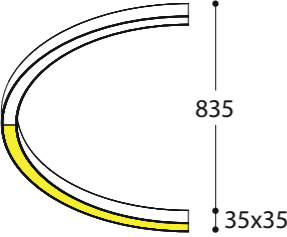
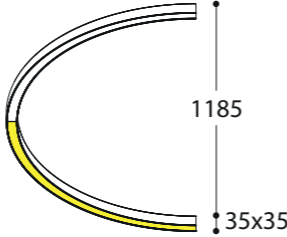
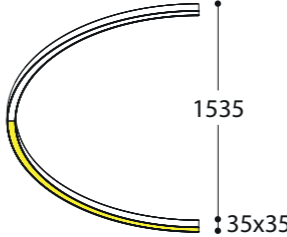
5 Fix the ceiling brackets and switch on mains power supply



- NL** Installatie- en onderhoudsrichtlijnen m.b.t. de fabrieksgarantie.
- De plaatsing, de aansluiting en het uittesten van dit toestel dient steeds te gebeuren door een erkend elektro-installateur.
 - Dit toestel moet geïnstalleerd, verbonden en getest worden volgens de nationaal geldende reglementen op elektrische installaties.
 - De technische bijsluiter dient te worden beschouwd als een onderdeel van de algemene verkoopsvoorwaarden van TAL nv.
 - De elektro-installateur is verantwoordelijk voor het gebruik van compatibele voorschakelapparatuur die voldoen aan de geldende IEC normen.
 - Reinig het toestel enkel met een zachte en lichtvochtige doek zonder reinigingsmiddel.
 - Schakel altijd eerst de elektriciteit uit alvorens het toestel te plaatsen en te installeren.
- EN** Installation and maintenance instructions regarding the manufacturer's warranty.
- Installation, connection and testing of this product must always be performed by a certified electrician.
 - This product must be installed, connected and tested in accordance with the applicable national regulations for electrical installations.
 - The technical manual must be regarded as part of the general sales conditions of TAL nv.
 - The electrical installer is responsible for the use of compatible control gear that meets the applicable IEC standards.
 - Only clean the device with a soft and slightly moist cloth without detergent.
 - Always switch off the electricity supply before installing and connecting the product.
- DE** Installations- und Wartungsanweisungen bezüglich der Herstellergarantie.
- Installation, Anschluß und Prüfung dieses Geräts soll nur von einem anerkannten Elektriker ausgeführt werden.
 - Dieses Gerät soll in Übereinstimmung mit den nationalen geltenden Vorschriften für Elektroinstallationen installiert, angeschlossen und geprüft werden.
 - Die technische Anleitung muß als Teil der allgemeinen Verkaufsbedingungen von TAL nv betrachtet werden.
 - Der Elektroinstallateur ist verantwortlich für die Verwendung von kompatiblen Betriebsgeräten, die den geltenden IEC-Normen entsprechen.
 - Reinigen Sie das Gerät nur mit einem weichen und leicht feuchten Tuch ohne Reinigungsmittel.
 - Schalten Sie den Strom immer aus, bevor Sie das Gerät installieren und anschließen.
- FR** Instructions d'installation et d'entretien concernant la garantie du fabricant.
- L'installation, la connexion et les essais de cet appareil doivent toujours être effectués par un électricien reconnu.
 - Cet appareil doit être installé, raccordé et testé conformément aux réglementations nationales pour les installations électriques.
 - La notice technique doit être considérée comme faisant partie des conditions générales de vente de TAL SA.
 - L'installateur électrique est responsable de l'utilisation d'un équipement de contrôle compatible qui satisfait aux normes CEI applicables.
 - Nettoyez l'appareil uniquement avec un chiffon doux et légèrement humide sans détergent.
 - Éteignez toujours l'électricité avant d'installer et de connecter l'appareil.

ALWAYS DISCONNECT MAINS POWER SUPPLY FROM CONVERTER BEFORE SWITCHING "ON" LED LUMINAIRES TO PREVENT HOT PLUGGING ISSUES!

RINGO 835-1185-1535 POWER CONSUMPTION MATRIX

RINGO 835	RINGO 1185	RINGO 1535
 <p>TYPE A - 180° LEDLINE Ledline power consumption 1/2 circle: - 2700K / 3000K / 4000K = 22,4W - 24V</p>	 <p>TYPE A - 180° LEDLINE Ledline power consumption 1/2 circle: - 2700K / 3000K / 4000K = 37,2W - 24V</p>	 <p>TYPE A - 180° LEDLINE Ledline power consumption 1/2 circle: - 2700K / 3000K / 4000K = 46,4W - 24V</p>
 <p>TYPE B - 90° LEDLINE + 90° 3x M10 3xM10 power consumption (2 pole): - 250mA = 12,75W - 51Vf - 350mA = 11,46W - 32,85Vf Ledline power consumption 1/4 circle: - 2700K / 3000K / 4000K = 11,2W - 24V</p>	 <p>TYPE B - 90° LEDLINE + 90° 3x M10 3xM10 power consumption (2 pole): - 250mA = 12,75W - 51Vf - 350mA = 11,46W - 32,85Vf Ledline power consumption 1/4 circle: - 2700K / 3000K / 4000K = 18,6W - 24V</p>	 <p>TYPE B - 90° LEDLINE + 90° 3x M10 3xM10 power consumption (2 pole): - 250mA = 12,75W - 51Vf - 350mA = 11,46W - 32,85Vf Ledline power consumption 1/4 circle: - 2700K / 3000K / 4000K = 23,2W - 24V</p>
 <p>TYPE C - 180° 6x M10 6xM10 power consumption (2 pole - 1 converter): - 250mA = 25,5W - 102Vf - 350mA = 22,92W - 65,7Vf OR 6xM10 power consumption (4 pole - 2 converters): - 250mA = 12,75W - 51Vf (per 3x M10 serial string) - 350mA = 11,46W - 32,85Vf (per 3x M10 serial string)</p>	 <p>TYPE C - 180° 6x M10 6xM10 power consumption (2 pole - 1 converter): - 250mA = 25,5W - 102Vf - 350mA = 22,92W - 65,7Vf OR 6xM10 power consumption (4 pole - 2 converters): - 250mA = 12,75W - 51Vf (per 3x M10 serial string) - 350mA = 11,46W - 32,85Vf (per 3x M10 serial string)</p>	 <p>TYPE C - 180° 6x M10 6xM10 power consumption (2 pole - 1 converter): - 250mA = 25,5W - 102Vf - 350mA = 22,92W - 65,7Vf OR 6xM10 power consumption (4 pole - 2 converters): - 250mA = 12,75W - 51Vf (per 3x M10 serial string) - 350mA = 11,46W - 32,85Vf (per 3x M10 serial string)</p>
 <p>TYPE D - 180° EMPTY No power consumption</p>	 <p>TYPE D - 180° EMPTY No power consumption</p>	 <p>TYPE D - 180° EMPTY No power consumption</p>
 <p>TYPE E - 90° EMPTY + 90° 3x M10 3xM10 power consumption (2 pole): - 250mA = 12,75W - 51Vf - 350mA = 11,46W - 32,85Vf 90° empty = NO POWER CONSUMPTION</p>	 <p>TYPE E - 90° EMPTY + 90° 3x M10 3xM10 power consumption (2 pole): - 250mA = 12,75W - 51Vf - 350mA = 11,46W - 32,85Vf 90° empty = NO POWER CONSUMPTION</p>	 <p>TYPE E - 90° EMPTY + 90° 3x M10 3xM10 power consumption (2 pole): - 250mA = 12,75W - 51Vf - 350mA = 11,46W - 32,85Vf 90° empty = NO POWER CONSUMPTION</p>
 <p>TYPE F - 90° LEDLINE + 90° EMPTY 90° empty = NO POWER CONSUMPTION Ledline power consumption 1/4 circle: - 2700K / 3000K / 4000K = 11,2W - 24V</p>	 <p>TYPE F - 90° LEDLINE + 90° EMPTY 90° empty = NO POWER CONSUMPTION Ledline power consumption 1/4 circle: - 2700K / 3000K / 4000K = 18,6W - 24V</p>	 <p>TYPE F - 90° LEDLINE + 90° EMPTY 90° empty = NO POWER CONSUMPTION Ledline power consumption 1/4 circle: - 2700K / 3000K / 4000K = 23,2W - 24V</p>

RINGO 835 TYPE A - F ARTICLE RANGE

297025	180° LEDLINE 2700K - ANODIC BROWN	TYPE A	
297026	180° LEDLINE 2700K - TEXT. BLACK	TYPE A	
297027	180° LEDLINE 2700K - TEXT. WHITE	TYPE A	
297053	180° LEDLINE 2700K - BRUSHED ANODIC GOLD	TYPE A	
297054	180° LEDLINE 2700K - BRUSHED ANODIC TITANIUM	TYPE A	
297055	180° LEDLINE 2700K - BRUSHED ANODIC BRONZE	TYPE A	
297035	180° LEDLINE 3000K - ANODIC BROWN	TYPE A	
297036	180° LEDLINE 3000K - TEXT. BLACK	TYPE A	
297037	180° LEDLINE 3000K - TEXT. WHITE	TYPE A	
297063	180° LEDLINE 3000K - BRUSHED ANODIC GOLD	TYPE A	
297064	180° LEDLINE 3000K - BRUSHED ANODIC TITANIUM	TYPE A	
297065	180° LEDLINE 3000K - BRUSHED ANODIC BRONZE	TYPE A	
297045	180° LEDLINE 4000K - ANODIC BROWN	TYPE A	
297046	180° LEDLINE 4000K - TEXT. BLACK	TYPE A	
297047	180° LEDLINE 4000K - TEXT. WHITE	TYPE A	

1.6 kg

297125	90° LEDLINE 2700K + 90° 3xM10 - ANODIC BROWN	TYPE B	
297126	90° LEDLINE 2700K + 90° 3xM10 - TEXT. BLACK	TYPE B	
297127	90° LEDLINE 2700K + 90° 3xM10 - TEXT. WHITE	TYPE B	
297153	90° LEDLINE 2700K + 90° 3xM10 - BRUSHED ANODIC GOLD	TYPE B	
297154	90° LEDLINE 2700K + 90° 3xM10 - BRUSHED ANODIC TITANIUM	TYPE B	
297155	90° LEDLINE 2700K + 90° 3xM10 - BRUSHED ANODIC BRONZE	TYPE B	
297135	90° LEDLINE 3000K + 90° 3xM10 - ANODIC BROWN	TYPE B	
297136	90° LEDLINE 3000K + 90° 3xM10 - TEXT. BLACK	TYPE B	
297137	90° LEDLINE 3000K + 90° 3xM10 - TEXT. WHITE	TYPE B	
297163	90° LEDLINE 3000K + 90° 3xM10 - BRUSHED ANODIC GOLD	TYPE B	
297164	90° LEDLINE 3000K + 90° 3xM10 - BRUSHED ANODIC TITANIUM	TYPE B	
297165	90° LEDLINE 3000K + 90° 3xM10 - BRUSHED ANODIC BRONZE	TYPE B	
297145	90° LEDLINE 4000K + 90° 3xM10 - ANODIC BROWN	TYPE B	
297146	90° LEDLINE 4000K + 90° 3xM10 - TEXT. BLACK	TYPE B	
297147	90° LEDLINE 4000K + 90° 3xM10 - TEXT. WHITE	TYPE B	

2.2 kg

297225	180° 6xM10 - ANODIC BROWN	TYPE C	
297226	180° 6xM10 - TEXT. BLACK	TYPE C	
297227	180° 6xM10 - TEXT. WHITE	TYPE C	
297253	180° 6xM10 - BRUSHED ANODIC GOLD	TYPE C	
297254	180° 6xM10 - BRUSHED ANODIC TITANIUM	TYPE C	
297255	180° 6xM10 - BRUSHED ANODIC BRONZE	TYPE C	

2.6 kg

297425	180° EMPTY - ANODIC BROWN	TYPE D	
297426	180° EMPTY - TEXT. BLACK	TYPE D	
297427	180° EMPTY - TEXT. WHITE	TYPE D	
297453	180° EMPTY - BRUSHED ANODIC GOLD	TYPE D	
297454	180° EMPTY - BRUSHED ANODIC TITANIUM	TYPE D	
297455	180° EMPTY - BRUSHED ANODIC BRONZE	TYPE D	

1.4 kg

297525	90° EMPTY + 90° 3xM10 - ANODIC BROWN	TYPE E	
297526	90° EMPTY + 90° 3xM10 - TEXT. BLACK	TYPE E	
297527	90° EMPTY + 90° 3xM10 - TEXT. WHITE	TYPE E	
297553	90° EMPTY + 90° 3xM10 - BRUSHED ANODIC GOLD	TYPE E	
297554	90° EMPTY + 90° 3xM10 - BRUSHED ANODIC TITANIUM	TYPE E	
297555	90° EMPTY + 90° 3xM10 - BRUSHED ANODIC BRONZE	TYPE E	

1.7 kg

297615	90° LEDLINE 2700K + 90° EMPTY - ANODIC BROWN	TYPE F	
297616	90° LEDLINE 2700K + 90° EMPTY - TEXT. BLACK	TYPE F	
297617	90° LEDLINE 2700K + 90° EMPTY - TEXT. WHITE	TYPE F	
297653	90° LEDLINE 2700K + 90° EMPTY - BRUSHED ANODIC GOLD	TYPE F	
297654	90° LEDLINE 2700K + 90° EMPTY - BRUSHED ANODIC TITANIUM	TYPE F	
297655	90° LEDLINE 2700K + 90° EMPTY - BRUSHED ANODIC BRONZE	TYPE F	
297635	90° LEDLINE 3000K + 90° EMPTY - ANODIC BROWN	TYPE F	
297636	90° LEDLINE 3000K + 90° EMPTY - TEXT. BLACK	TYPE F	
297637	90° LEDLINE 3000K + 90° EMPTY - TEXT. WHITE	TYPE F	
297663	90° LEDLINE 3000K + 90° EMPTY - BRUSHED ANODIC GOLD	TYPE F	
297664	90° LEDLINE 3000K + 90° EMPTY - BRUSHED ANODIC TITANIUM	TYPE F	
297665	90° LEDLINE 3000K + 90° EMPTY - BRUSHED ANODIC BRONZE	TYPE F	
297645	90° LEDLINE 4000K + 90° EMPTY - ANODIC BROWN	TYPE F	
297646	90° LEDLINE 4000K + 90° EMPTY - TEXT. BLACK	TYPE F	
297647	90° LEDLINE 4000K + 90° EMPTY - TEXT. WHITE	TYPE F	

1.9 kg

RINGO 1185 TYPE A - F ARTICLE RANGE

298025	180° LEDLINE 2700K - ANODIC BROWN	TYPE A	
298026	180° LEDLINE 2700K - TEXT. BLACK	TYPE A	
298027	180° LEDLINE 2700K - TEXT. WHITE	TYPE A	
298035	180° LEDLINE 3000K - ANODIC BROWN	TYPE A	
298036	180° LEDLINE 3000K - TEXT. BLACK	TYPE A	
298037	180° LEDLINE 3000K - TEXT. WHITE	TYPE A	
298045	180° LEDLINE 4000K - ANODIC BROWN	TYPE A	
298046	180° LEDLINE 4000K - TEXT. BLACK	TYPE A	
298047	180° LEDLINE 4000K - TEXT. WHITE	TYPE A	

1.9 kg

298125	90° LEDLINE 2700K + 90° 3xM10 - ANODIC BROWN	TYPE B	
298126	90° LEDLINE 2700K + 90° 3xM10 - TEXT. BLACK	TYPE B	
298127	90° LEDLINE 2700K + 90° 3xM10 - TEXT. WHITE	TYPE B	
298135	90° LEDLINE 3000K + 90° 3xM10 - ANODIC BROWN	TYPE B	
298136	90° LEDLINE 3000K + 90° 3xM10 - TEXT. BLACK	TYPE B	
298137	90° LEDLINE 3000K + 90° 3xM10 - TEXT. WHITE	TYPE B	
298145	90° LEDLINE 4000K + 90° 3xM10 - ANODIC BROWN	TYPE B	
298146	90° LEDLINE 4000K + 90° 3xM10 - TEXT. BLACK	TYPE B	
298147	90° LEDLINE 4000K + 90° 3xM10 - TEXT. WHITE	TYPE B	

2.5 kg

298225	180° 6xM10 - ANODIC BROWN	TYPE C	
298226	180° 6xM10 - TEXT. BLACK	TYPE C	
298227	180° 6xM10 - TEXT. WHITE	TYPE C	
298253	180° 6xM10 - BRUSHED ANODIC GOLD	TYPE C	
298254	180° 6xM10 - BRUSHED ANODIC TITANIUM	TYPE C	
298255	180° 6xM10 - BRUSHED ANODIC BRONZE	TYPE C	

2.9 kg

298425	180° EMPTY - ANODIC BROWN	TYPE D	
298426	180° EMPTY - TEXT. BLACK	TYPE D	
298427	180° EMPTY - TEXT. WHITE	TYPE D	

1.7 kg

298525	90° EMPTY + 90° 3xM10 - ANODIC BROWN	TYPE E	
298526	90° EMPTY + 90° 3xM10 - TEXT. BLACK	TYPE E	
298527	90° EMPTY + 90° 3xM10 - TEXT. WHITE	TYPE E	

2 kg

298615	90° LEDLINE 2700K + 90° EMPTY - ANODIC BROWN	TYPE F	
298616	90° LEDLINE 2700K + 90° EMPTY - TEXT. BLACK	TYPE F	
298617	90° LEDLINE 2700K + 90° EMPTY - TEXT. WHITE	TYPE F	
298635	90° LEDLINE 3000K + 90° EMPTY - ANODIC BROWN	TYPE F	
298636	90° LEDLINE 3000K + 90° EMPTY - TEXT. BLACK	TYPE F	
298637	90° LEDLINE 3000K + 90° EMPTY - TEXT. WHITE	TYPE F	
298645	90° LEDLINE 4000K + 90° EMPTY - ANODIC BROWN	TYPE F	
298646	90° LEDLINE 4000K + 90° EMPTY - TEXT. BLACK	TYPE F	
298647	90° LEDLINE 4000K + 90° EMPTY - TEXT. WHITE	TYPE F	

2.2 kg

RINGO 1535 TYPE A - F ARTICLE RANGE

299025	180° LEDLINE 2700K - ANODIC BROWN	TYPE A	
299026	180° LEDLINE 2700K - TEXT. BLACK	TYPE A	
299027	180° LEDLINE 2700K - TEXT. WHITE	TYPE A	
299035	180° LEDLINE 3000K - ANODIC BROWN	TYPE A	
299036	180° LEDLINE 3000K - TEXT. BLACK	TYPE A	
299037	180° LEDLINE 3000K - TEXT. WHITE	TYPE A	
299045	180° LEDLINE 4000K - ANODIC BROWN	TYPE A	
299046	180° LEDLINE 4000K - TEXT. BLACK	TYPE A	
299047	180° LEDLINE 4000K - TEXT. WHITE	TYPE A	

2.2 kg

299125	90° LEDLINE 2700K + 90° 3xM10 - ANODIC BROWN	TYPE B	
299126	90° LEDLINE 2700K + 90° 3xM10 - TEXT. BLACK	TYPE B	
299127	90° LEDLINE 2700K + 90° 3xM10 - TEXT. WHITE	TYPE B	
299135	90° LEDLINE 3000K + 90° 3xM10 - ANODIC BROWN	TYPE B	
299136	90° LEDLINE 3000K + 90° 3xM10 - TEXT. BLACK	TYPE B	
299137	90° LEDLINE 3000K + 90° 3xM10 - TEXT. WHITE	TYPE B	
299145	90° LEDLINE 4000K + 90° 3xM10 - ANODIC BROWN	TYPE B	
299146	90° LEDLINE 4000K + 90° 3xM10 - TEXT. BLACK	TYPE B	
299147	90° LEDLINE 4000K + 90° 3xM10 - TEXT. WHITE	TYPE B	

2.8 kg

299225	180° 6xM10 - ANODIC BROWN	TYPE C	
299226	180° 6xM10 - TEXT. BLACK	TYPE C	
299227	180° 6xM10 - TEXT. WHITE	TYPE C	

3.2 kg

299425	180° EMPTY - ANODIC BROWN	TYPE D	
299426	180° EMPTY - TEXT. BLACK	TYPE D	
299427	180° EMPTY - TEXT. WHITE	TYPE D	

2 kg

299525	90° EMPTY + 90° 3xM10 - ANODIC BROWN	TYPE E	
299526	90° EMPTY + 90° 3xM10 - TEXT. BLACK	TYPE E	
299527	90° EMPTY + 90° 3xM10 - TEXT. WHITE	TYPE E	

2.3 kg

299615	90° LEDLINE 2700K + 90° EMPTY - ANODIC BROWN	TYPE F	
299616	90° LEDLINE 2700K + 90° EMPTY - TEXT. BLACK	TYPE F	
299617	90° LEDLINE 2700K + 90° EMPTY - TEXT. WHITE	TYPE F	
299635	90° LEDLINE 3000K + 90° EMPTY - ANODIC BROWN	TYPE F	
299636	90° LEDLINE 3000K + 90° EMPTY - TEXT. BLACK	TYPE F	
299637	90° LEDLINE 3000K + 90° EMPTY - TEXT. WHITE	TYPE F	
299645	90° LEDLINE 4000K + 90° EMPTY - ANODIC BROWN	TYPE F	
299646	90° LEDLINE 4000K + 90° EMPTY - TEXT. BLACK	TYPE F	
299647	90° LEDLINE 4000K + 90° EMPTY - TEXT. WHITE	TYPE F	

2.5 kg